



PROJECT		REF		REV	ITEM CODE	
LOCATION		DATE			PAGE	

SANITARY WARE SPECIFICATION SHEET

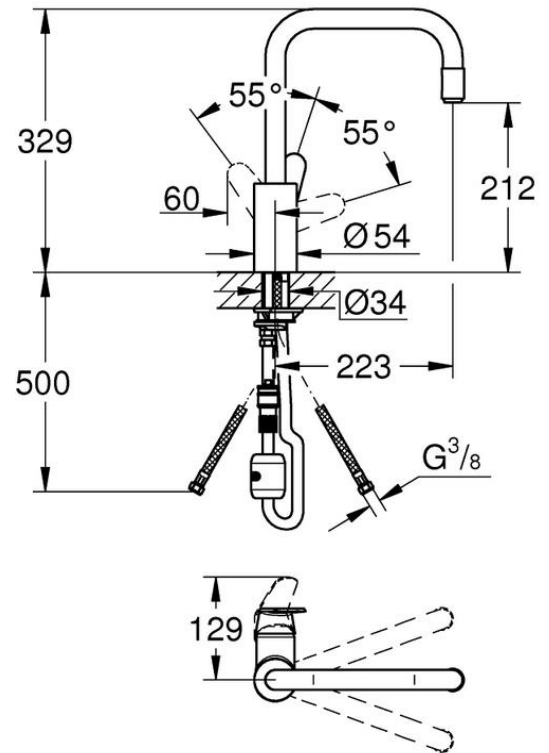
Item Descriptions	GROHE (Germany) "Eurodisc Cosmopolitan" Chrome plated 3/8" single lever sink mixer with pull-out mousseur spout
Dimensions	L223 x W129 x H329 mm
Model	31122002
Finish / Material	Chrome Plated
Country of origin Manufacturer	Germany GROHE Limited
Supplier	Acme Sanitary Ware Co. Ltd Mr. Eric Wong/ Mr. Don Yuen
Contact Tel/Fax E-mail Website	(852) 2388-7171 / (852) 2710-8012 acme@acmesanitary.com.hk www.acmesanitary.com.hk

Illustration/ Drawing



"Eurodisc Cosmopolitan" 3/8" single lever mixer

- high spout
- monobloc installation
- **GROHE StarLight** finish
- **GROHE SilkMove** 35 mm ceramic cartridge
- **pull out mousseur spout**
- swivel tubular spout
- adjustable flow rate limiter
- swivel area 360°
- protected against backflow
- flexible connection hoses
- rapid installation system



Note:

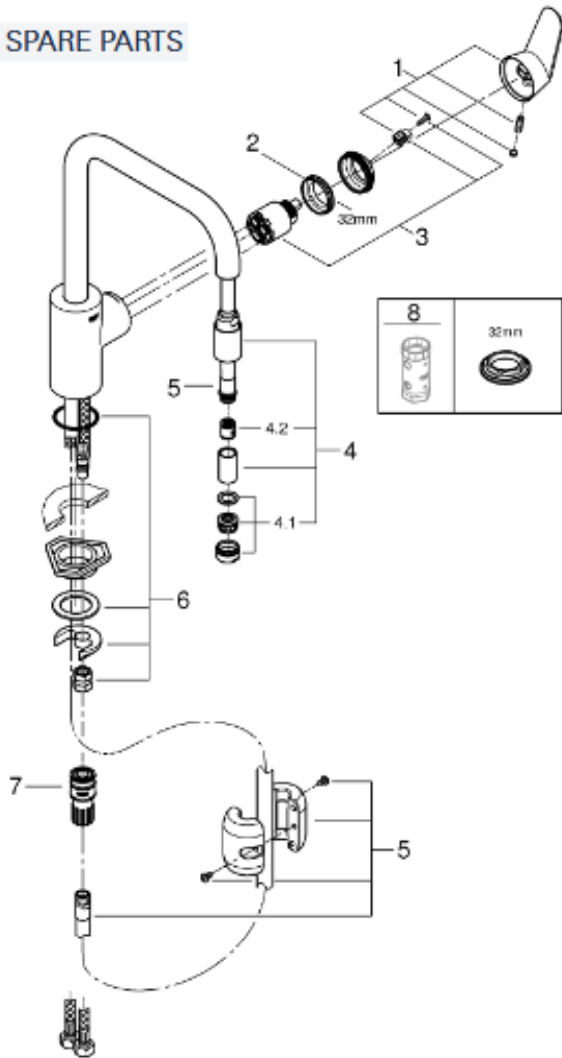
* All information of the above is for the reference only. No prior notice is made if any changes.



PROJECT		REF		REV	ITEM CODE	
LOCATION		DATE			PAGE	

SANITARY WARE SPECIFICATION SHEET

SPARE PARTS

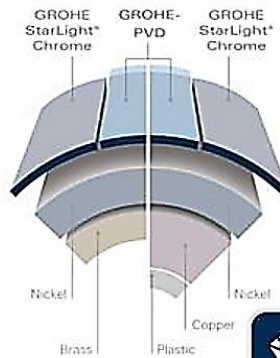


GROHE EURODISC COSMOPOLITAN

VERSATILE & MEANINGFUL

Confidence across the board. Eurodisc Cosmopolitan fittings stand out as a result of their superior styling and their extensive product range, all boasting the "Made in Germany" seal of quality. This collection allows you infinite creativity in your quest for a personalised bathroom. The sweeping lines of the washbasin faucet allow comfortable, splash-free hand-washing. Refreshingly elegant details and technical sophistication are also available for the shower and bath areas. Single-lever faucets, a complete shower system and a convenient shower caddy are just a few examples. Eurodisc Cosmopolitan turns your bathroom into a comfortable living zone.

GROHE StarLight®



GROHE surface
hardness



GROHE scratch
resistance



GROHE SILKMOVE
Smoothest handling for effortless precision and ultimate comfort for a lifetime.



GROHE STARLIGHT
Made-to-last surfaces ranging from precious matt to shiny like a diamond.



PULL-OUT MOUSSEUR SPRAY
Increases operating radius of the faucet and offers different sprays.



PROFESSIONAL-SPRAY
Features a 360° spring arm and easy switching between the spray and mousseur.

Pos.-nr.	Prod. description	Order-nr.
1	Lever	46741000
2	Screw coupling	46460000
3	Cartridge	46374000
4	Extractable shower	46757000
4.1	Mousseur	13929000
4.2	Non-return valve	08565000
5	Shower hose	48293000
6	Shank fastening assembly	46346000
7	Quick coupling	46315000
8	Socket spanner	19332000*

* Optional accessories

Note:

* All information of the above is for the reference only. No prior notice is made if any changes.



水務署
Waterworks Department

總部 Headquarters
香港灣仔告士打道48樓
48/F, Immigration and Customs
Department, 48 Gloucester Road, Wan Chai, Hong Kong



本署檔號 : (8) in WSD 3321/18 Pt.1 T/J(364)
Our ref.
來函檔號 :
Your ref.

電話 :
Tel.
傳真 : 2824 0578
Fax.

6 July 2018

Approval of "GROHE" Sink Mixer (General Acceptance No. C20180382)

Your letter ref. WRC/1676 dated 10 April 2018 and subsequent submission received by this department on 21 June 2018 refer.

Having considered the test report ref. J20246r3 issued on 14 June 2018 by Nutek Systems (HK) Ltd., this Authority accepts that the fitting described below complies with, and its use when correctly installed does not contravene, the Waterworks Ordinance and Regulations.

Name of Manufacturer: Grohe AG

Country of Origin: Portugal

Brand: Grohe

Details of Fitting: 3/8" Single lever sink mixer supplied with:
1) 1 no of 407500040 plastic fabric hose (tested by Nutek Systems (HK) Limited under ref. J21700)
2) 2 nos of Neoperl GmbH – Neoflex SPX DN6 G3/8" flexible connection hoses approved by UK's WRAS under certificate no. 1506306

Model: 31122002



Body Markings:



Expiry Date:

11 September 2022 (for mixer + hose (1))
30 June 2020 (for hose (2))

This Authority hereby permits the use of the above fitting in fresh water plumbing systems subject to full adherence to Waterworks installation requirements. In particular, you are required to draw your customers' attention to the following requirement-

"The cold water supply to the fitting shall be drawn from the same source that supplies the hot water apparatus so as to provide a balanced pressure and to obviate the risk of scalding in the event of a restriction or failure in the water supply."

A condition of this acceptance is that the fitting to be installed shall be replicas of the sample as certified by the testing agent mentioned above and without modifications. This acceptance may be withdrawn at any time if the standard of the fitting installed fails to meet that of the approved sample or if the fitting is found to be unsuitable for use in fresh water plumbing systems.

This acceptance is only applicable to the main body of the fitting, unless other specified.

For the use of the fitting in any project, the General Acceptance Number of this letter must be quoted as a means of identification of acceptance of the fitting by this Authority.

Should you have any enquiries, please contact our Engineer Mr. Terry KUNG at tel. no. 3583 4086.

Yours faithfully,

(CHAN Chung-kun)

for Director of Water Supplies

Encl.

c.c. WSD 3321/1/82] - without catalogue
ME/MC] - with soft copy only